

ROZALEX GAUNTLET®

Heavy Duty Skin Cleanser

Description

A ready to use heavy-duty skin cleanser with polythene granules for enhanced skin cleansing. Available with its' own bespoke Global dispensing system.



Key properties

- A water based blend of non-ionic surfactants, soap and refined hydrocarbon solvent
- Contains 'Polybeads'
- Contains lanolin derivative

Benefits

- Excellent removal of ingrained oil,grease and heavy soiling
- 'Polybeads' give a skin-friendly scrub ability to aid dirt removal
- Less harsh than pumice based cleansers
- More efficient than non-solvent based cleansers
- Helps protect the skin by preventing de-fatting

Use instructions

Dosage: Ready to use; apply undiluted.

Application: Apply 2-5 ml to dry hands and rub in thoroughly particularly in areas of heavy soiling. Wet hands and rub to loosen soiling, and then rinse off with water and dry hands thoroughly

Delivery: Rozalex Gauntlet (5ltr / 15ltr) can be dispensed using the Rozalex Multi-purpose Dispenser. Rozalex Gauntlet Cartridge (5ltr) can be dispensed using the bespoke Rozalex Global Dispenser

Typical Commercial Applications

Manufacturing plants, Light engineering, Automotive repairs, Ship building, Civil engineering, Oil & Gas Industry, Chemical handling, Painting & Decorating, Cleaning, Building Trades, Landscaping, Farming, Marine, Window Cleaning, Car & Truck Washing.



Technical data

Appearance: Clear vibrant orange gel with fine particles (polybeads)
Odour Perfumed: pH 10% 8.9 - 9.9
Specific Gravity: 0.96 at 20⁰C
Shelf Life: Minimum of one year under recommended storage conditions
Flammability: May ignite in a general conflagration

The above data is typical of normal production and should not be taken as a specification.

Safe handling and storage information

Full guidance on the handling and disposal of this product is provided in a separate Material Safety Data Sheet which is available at www.rozalex.co.uk
For professional users only

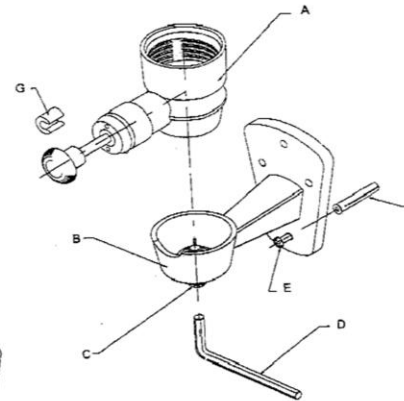
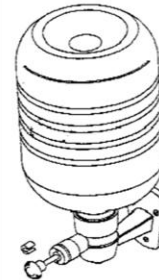
Storage Information

Store in original closed containers.

Pack sizes

SKU Order Code	Product Description
6041731	Rozalex Gauntlet Cartridges 2x5L
6041749	Rozalex Gauntlet Skin Cleaner 5L
6041764	Rozalex Gauntlet Skin Cleaner 15L
6064851	Rozalex Global Dispenser (for use with 6041731)
6064208	Rozalex Multi-purpose Dispenser

Gauntlet Global Dispenser Fixing Instructions and Illustration



CONTENTS
A... Pump/Bottle Housing (Assembly)
B... Support Bracket
C... Refill Housing Retaining Screw
D... Allen Key
E... Fixing Screws (4)
F... Wall Flags (4)
G... Restricted Output Pump Spacer

- FIXING INSTRUCTIONS**
1. Detach Pump/Bottle Housing (A) from Support Bracket (B) by loosening Retaining Screw (C) with Allen Key (D)
 2. Fix Support Bracket (B) to wall with Screws (E) and Wall Plugs (F)
- Note:** Ensure correct alignment after fixing the first of the upper wall plugs by re-fitting the refill housing and placing a spirit level across the top.
3. To fill refill bottle to Pump/Bottle Housing (see separate instructions on bottle top)
 4. Fit Pump Spacer (G) for Restricted output.

For Sales & Marketing enquiries, or to find a local distributor, please call 0844 811 1250

Date of Revision: October 27th 2009

