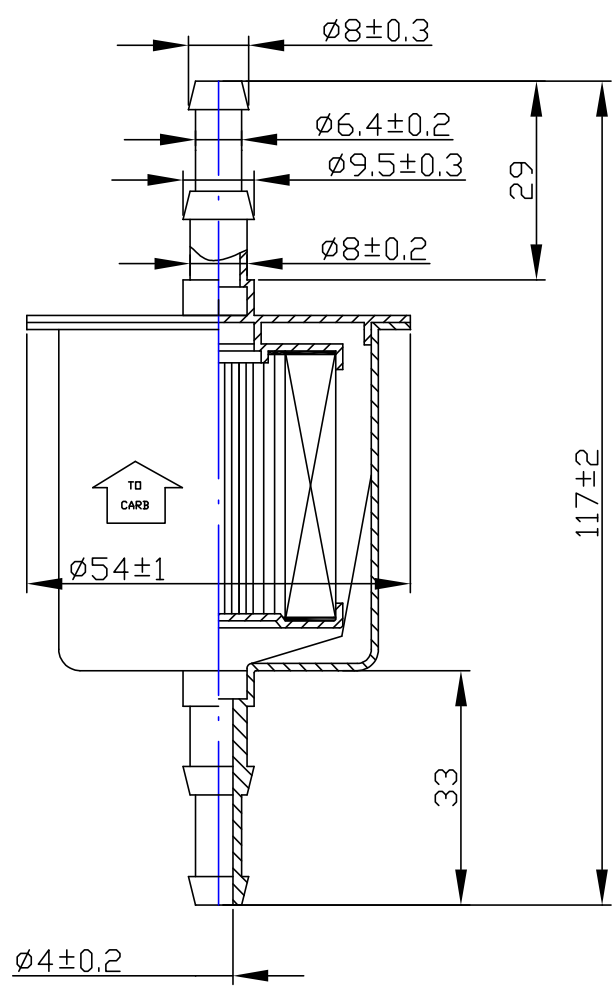
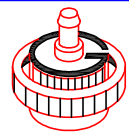


1	2	3	4
RevNo	Revision note	Date	Signature
			Checked



Test Requirements:
1. Testing pressure for leakage: 3 BAR
2. Burst Pressure: 4 BAR
3. Element Collapse Pressure: 6 BAR
4. Temp. Range: +40 °C - -30°C
5. Filtration Area : 235± 10% SQcm
6. Micron rating: 9 - :12 mic

All the dimensions are in mm and REF.

Itemref	Quantity	Title/Name, designation, material, dimension etc			Article No./Reference	
Designed by Shvartsman	Checked by Shvartsman	Approved by - date Shvartsman 15/06/06	Filename GF-12	Date 15/06/06	Scale 1:1	
			GF-12			
GUR filter co. Ltd. Automotive Fuel Filter 12 Hamerkava Str., Industrial Zone, Holon 58950, Israel Tel. 972-3-5503615 FAX; 972-3-5503353			FUEL FILTER		Edition 0	Sheet 1/1